

"LPG" HOT AIR GENERATOR

# BLP 73E



## FUNCTIONING PRINCIPLES



The “LPG” hot air generator is characterized by the total use of the fuel, by heat exchange due to direct mixing of the intake air and the combustion products. Safety devices always guarantee the correct operation of the machine. The accurate selection of materials ensures high reliability, while the noise impact has been reduced to minimum. It has a practical handle for easier transport and handling. The appliance is manufactured in compliance with the EN 1596 Standard.

## TECHINICAL DATA

MAX capacity	kW	<b>73</b>	MIN capacity	kW	<b>49</b>
	Kcal/h	<b>62.800</b>		Kcal/h	<b>42.100</b>
	Btu/h	<b>249.300</b>		Btu/h	<b>167.100</b>
Air flow	m <sup>3</sup> /h	<b>2.300</b>	Power supply	V	<b>220-240</b>
Net weight	kg	<b>14,4</b>	Frequency	Hz	<b>50</b>
Gross weight	kg	<b>16,8</b>	Rated current	A	<b>1</b>
Fuel type		<b>Propano/Butano</b>	Noisy	dBa	<b>79</b>
Fuel supply pressure	mbar	<b>750÷1.500</b>	Class of protection		<b>IP44</b>
Fuel consumption	kg/h	<b>5,02</b>	Temperature difference at 1.5 m		<b>&lt;70°C</b>

## PACKAGING

Heater dimensions	mm	<b>685 x 276 x 444</b>
Packaging dimensions	mm	<b>760 x 300 x 510</b>
Pieces for Europallet	n°	<b>16</b>
Pieces full truck	n°	<b>528</b>

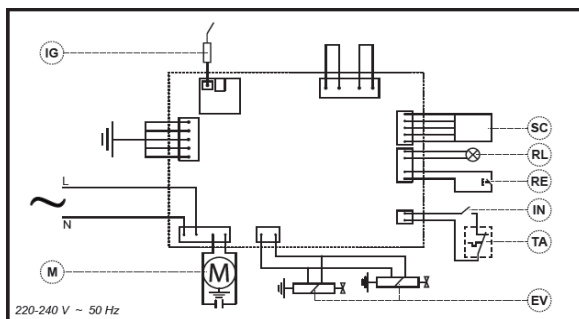
## COMPONENTS

Ignition	Electronic of PC-board
Electrode	Discharge on the burner with single wire
Flame detection	Ionization probe
Safety system	Electronic sensor with cover protection
Nozzle	Ø1,70
Motor	Monophase, with thermal protection, counter-clockwise rotation, 2500 rpm
Handling	Using lifting handle
System power adjustment	Knob on the pressure regulator
Room thermostat connection	Available

## OPTIONAL ACCESSORIES

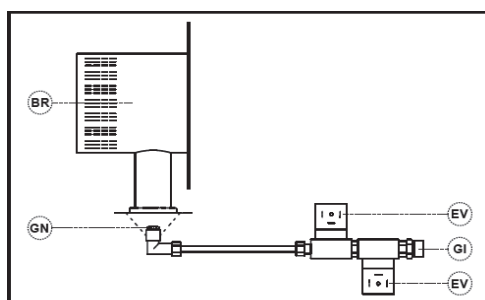
Room thermostat	TH 5 (0÷36°C sensibilità ±1,5°C)
-----------------	----------------------------------

## WIRING DIAGRAM



IN	:	Switch
M	:	Motor
EV	:	Electrovalve
IG	:	Ignitor
SC	:	Control sensor
RL	:	LED
RE	:	Reset
TA	:	Room thermostat

## FUEL SYSTEM DIAGRAM



GI	:	Gas inlet fitting
EV	:	Electrovalve
GN	:	Gas nozzle
BR	:	Burner